



SUPERSTACK[®] 3 SWITCH 3870 FAMILY MANAGEMENT QUICK REFERENCE GUIDE

Summary of Software Features

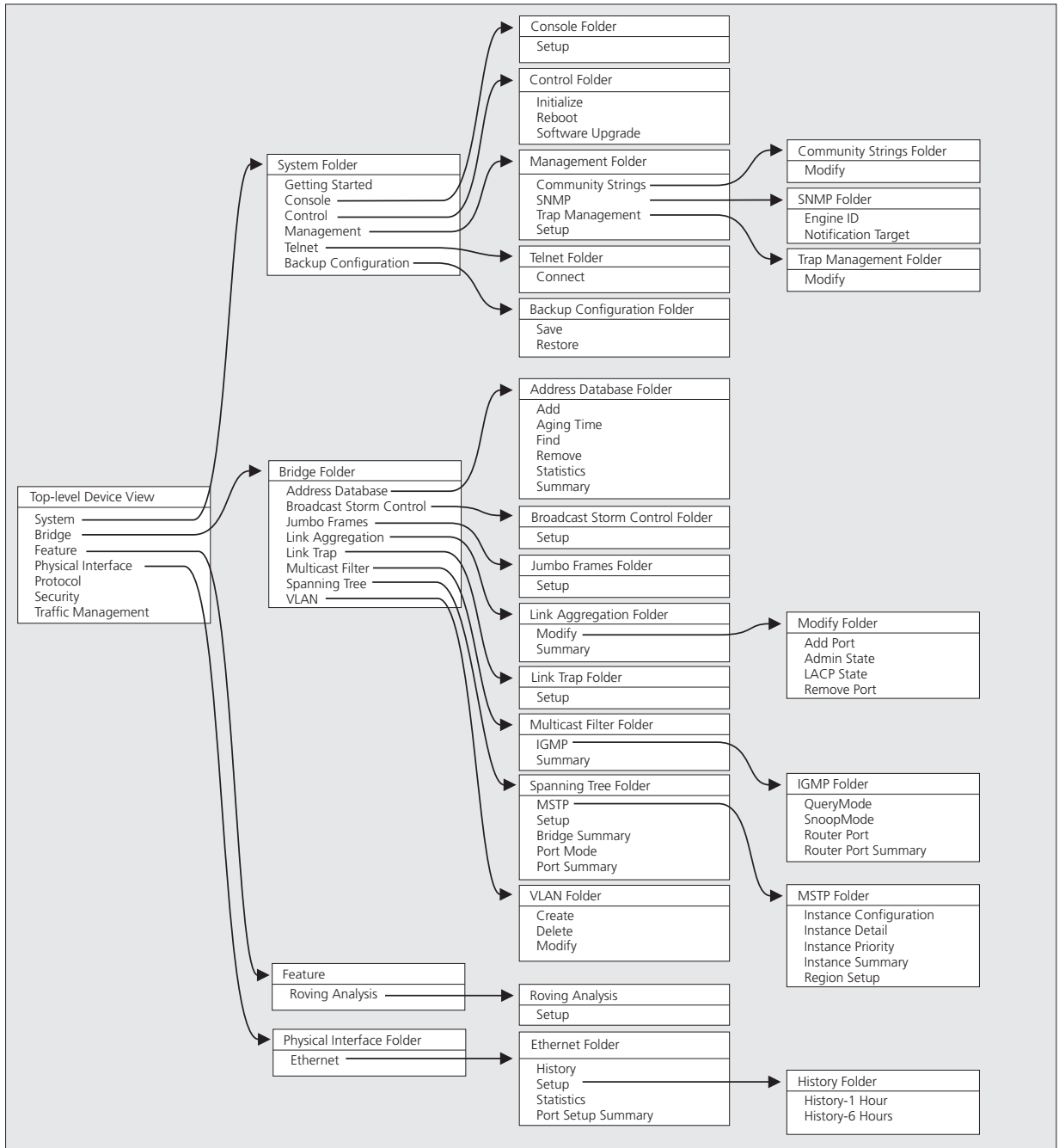
This table summarizes the software features that are supported by the Switch 3870 (24-port, Managed 10/100/1000 and 48-port, Managed 10/100/1000) Management Software Version 3.0.

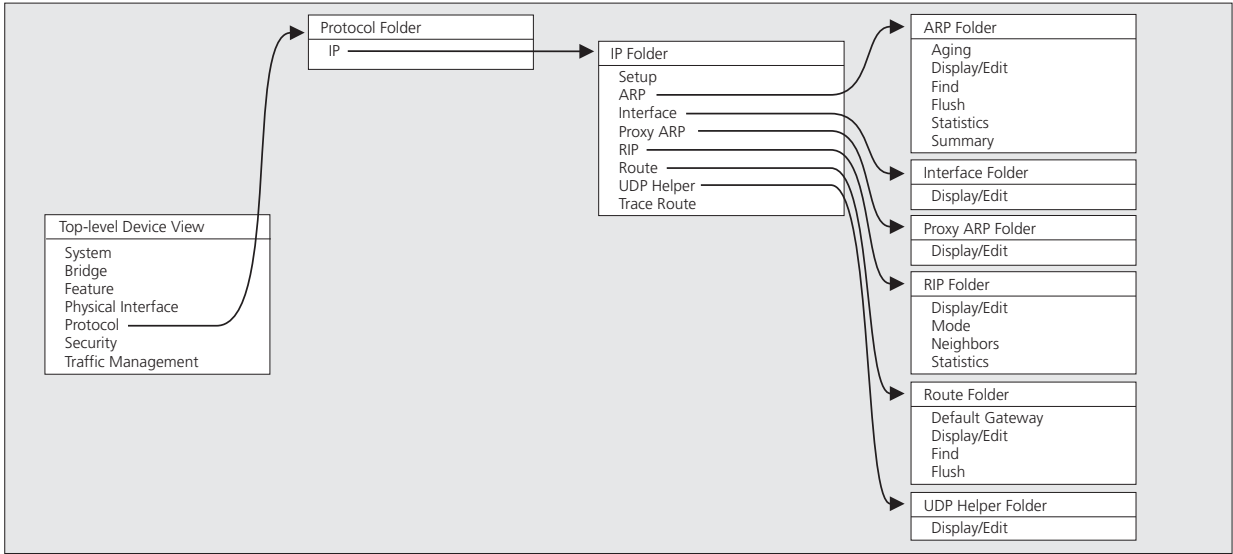
Feature	Description
IP Configuration	Manual or automatic using DHCP
Aggregated Links	Supported on 10/100/1000 and SFP ports
Link Aggregation Control Protocol (LACP)	Supported using the IEEE Std 802.3-2002 (incorporating 802.3ad)
Broadcast Storm Control	Supported
Virtual LANs (VLANs)	<ul style="list-style-type: none">■ Support for up to 255 VLANs using the IEEE Std. 802.1Q-1998■ Automatic VLAN assignment supported
Multicast Filtering	<ul style="list-style-type: none">■ 255 multicast filter groups supported■ IGMP querying and IGMP snooping v1/v2 supported
Rapid Spanning Tree Protocol	Supported using the IEEE Std. 802.1w-2001 (compatible with STP) Multiple Spanning Tree Protocol (MSTP) supported
Traffic Prioritization/Classification	<ul style="list-style-type: none">■ IEEE Std 802.1p supported■ DiffServ CodePoint (DSCP) based CoS supported■ TCP/UDP control supported■ NBX supported
Layer 3 Routing	<ul style="list-style-type: none">■ Routing Information Protocol (RIP v1/v2)■ Static Routing, Trace Route, UDP Helper
RMON Management	Four groups supported: Statistics, History, Alarms, Event <ul style="list-style-type: none">■ Web interface (HTTP and HTTPS)■ Command line interface (serial, Telnet and SSH)■ SNMP v1/v2/v3
Security	<ul style="list-style-type: none">■ MAC port security■ Network login (IEEE802.1X)■ RADIUS supported■ RADIUS Authenticated Device Access (RADA) supported
Configuration Save and Restore	Supported
Roving Analysis	Port mirroring supported
Bandwidth Management	Rate limiting (1 Mbps resolution)

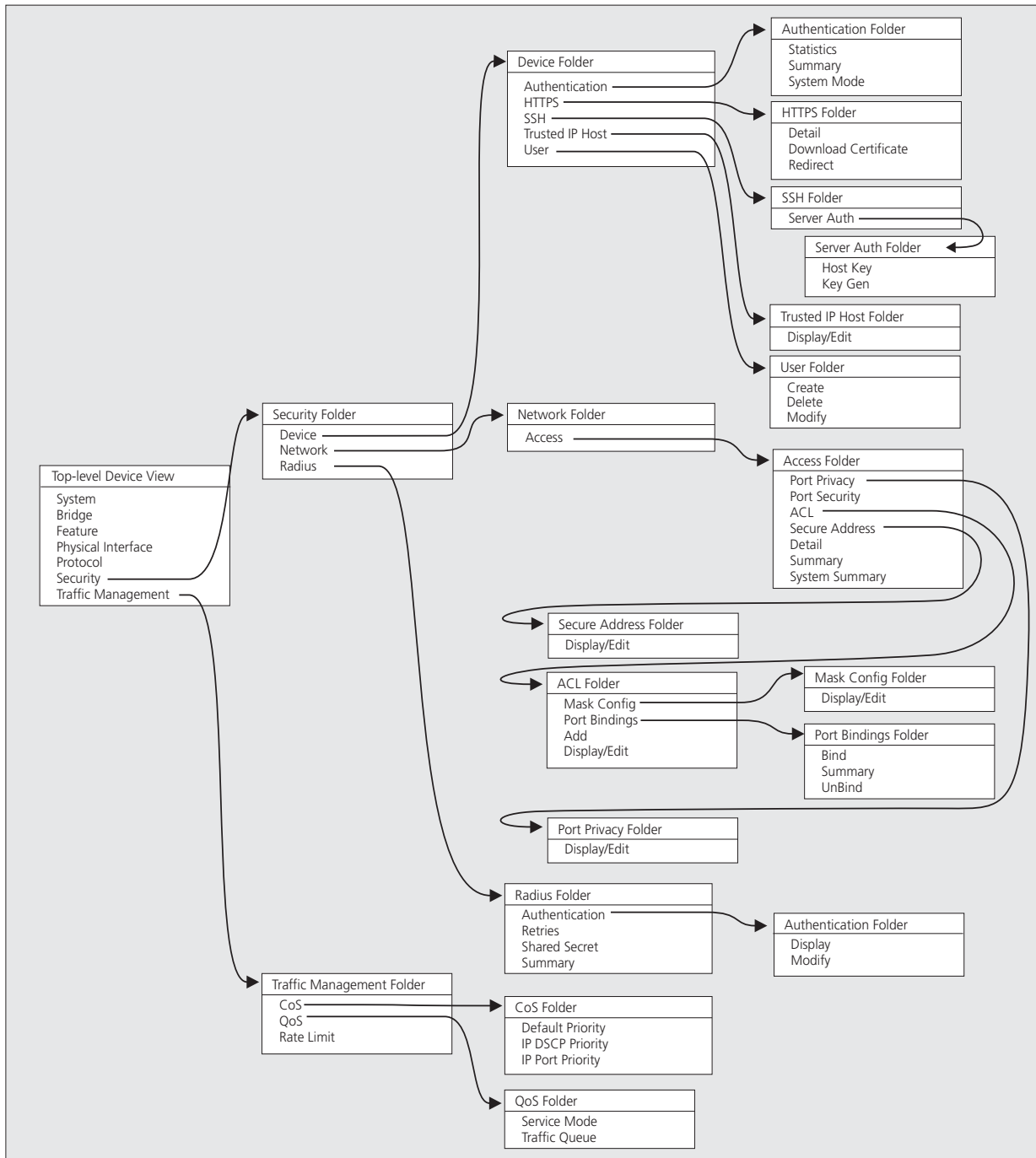


For more information on how each of these features operates on your Switch, refer to the Implementation Guide that is supplied on the CD-ROM that accompanies your Switch.

Web Interface Map – Device View

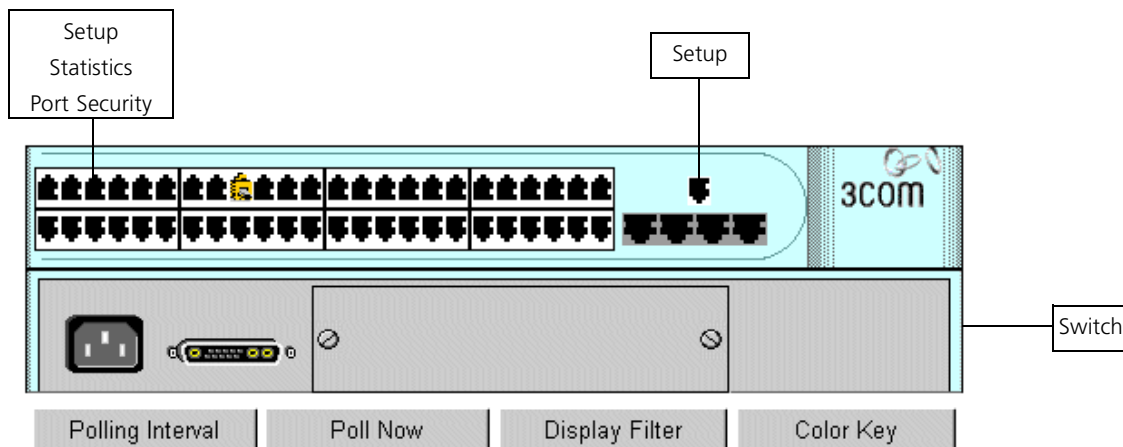






Web Interface Device Mimic

This graphic displays port status and allows quick setup for the network and management ports.



(Switch 3870 48 port device mimic shown)

A Quick Guide to the Web Interface Operations

This table describes the operations that are available on the Web interface.

Operation	Description
System Getting Started	Guides you through the initial configuration of the Switch.
System Console Setup	Configures the speed of a console port.
System Control Initialize	Initializes the Switch to factory default settings.
System Control Reboot	Resets the Switch.
System Control Software Upgrade	Upgrades the software on the Switch.
System Management Community Strings Modify	Changes current SNMP community strings.
System Management SNMP Engine ID	Sets the engine ID for the SNMP agent on the Switch.
System Management SNMP Notification Target	Adds, modifies, or deletes recipients for traps or inform messages.
System Management Trap Management Modify	Adds or removes a trap receiver.
System Management Setup	Changes descriptive information for the Switch.
System Telnet Connect	Starts a Telnet session to the Switch in a separate window.
System Backup Configuration Save	Saves the current configuration to a backup file on a TFTP server.
System Backup Configuration Restore	Restores the configuration from a a backup file on a TFTP server.
Bridge Address Database Add	Adds a MAC address to the database.
Bridge Address Database Aging Time	Configures the aging period for the MAC address database.
Bridge Address Database Find	Displays the location of a MAC address.
Bridge Address Database Remove	Deletes a MAC address from the database.
Bridge Address Database Statistics	Displays a summary of the MAC address database.

Operation (Continued)	Description
Bridge Address Database Summary	Displays all MAC addresses that are stored against a particular port or aggregated link.
Bridge Broadcast Storm Control Setup	Configures Broadcast Storm Control parameters for the stack.
Bridge Jumbo Frames Setup	Enables or disables jumbo frames on the Switch.
Bridge Link Aggregation Modify Add Port	Adds a port to an aggregated link.
Bridge Link Aggregation Modify Admin State	Changes the state of an aggregated link.
Bridge Link Aggregation Modify LACP State	Enables or disables LACP on a port.
Bridge Link Aggregation Modify Remove Port	Deletes a port from an aggregated link.
Bridge Link Aggregation Summary	Lists all aggregated links on the Switch.
Bridge Link Trap Setup	Enables or disables port link traps.
Bridge Multicast Filter IGMP QueryMode	Configures the Switch to be an IGMP querier.
Bridge Multicast Filter IGMP SnoopMode	Configures IGMP multicast learning for the Switch.
Bridge Multicast Filter IGMP Router Port	Configures ports to router ports.
Bridge Multicast Filter IGMP Router Port Summary	Displays the ports by which multicast routers can be reached.
Bridge Multicast Filter Summary	Lists currently active filter groups.
Bridge Spanning Tree MSTP Instance Configuration	Sets the members of MST instances.
Bridge Spanning Tree MSTP Instance Detail	Displays detailed summary information for a single MST instance.
Bridge Spanning Tree MSTP Instance Priority	Sets the MSTP priority for each MST instance.
Bridge Spanning Tree MSTP Instance Summary	Displays summary information for all MST instances.
Bridge Spanning Tree MSTP Region Setup	Names and changes the size of MST regions.
Bridge Spanning Tree Setup	Configures spanning tree parameters.
Bridge Spanning Tree Bridge Summary	Lists a summary of bridge configurations.
Bridge Spanning Tree Port Mode	Allows you to enable and disable spanning tree on each port.
Bridge Spanning Tree Port Summary	Lists a summary of port configurations.
Bridge VLAN Create	Creates a new VLAN.
Bridge VLAN Delete	Deletes an existing VLAN.
Bridge VLAN Modify	Modifies the port membership of an existing VLAN.
Feature Roving Analysis Setup	Configures the Roving Analysis feature.
Physical Interface Ethernet History History-1 Hour	Displays packet activity for all ports on the Switch for the past hour.
Physical Interface Ethernet History History-6 Hours	Displays packet activity for all ports on the Switch for the past 6 hours.
Physical Interface Ethernet Setup	Sets up single or multiple Ethernet ports.
Physical Interface Ethernet Statistics	Displays statistics for packet and error traffic on one or more ports.
Physical Interface Ethernet Port Setup Summary	Displays summary information for the Switch.
Protocol IP Setup	Configures the IP information for the Switch.
Protocol IP ARP Aging	Sets the amount of time that an entry stays in the ARP cache.
Protocol IP ARP Display/Edit	Displays and edits the current entries in the ARP cache.
Protocol IP ARP Find	Finds an ARP entry for a specific IP address.
Protocol IP ARP Flush	Removes all dynamic entries from the ARP cache.
Protocol IP ARP Statistics	Lists ARP requests and responses per port.
Protocol IP ARP Summary	Displays the used and available space in the ARP cache.

Operation (Continued)	Description
Protocol IP Interface Display/Edit	Displays and edits the Switch's IP interfaces.
Protocol IP Proxy ARP Display/Edit	Displays and edits Proxy ARP on the IP interfaces.
Protocol IP RIP Display/Edit	Displays and edits RIP routing on the IP interfaces.
Protocol IP RIP Mode	Configures global RIP settings.
Protocol IP RIP Neighbors	Lists RIP devices on the network.
Protocol IP RIP Statistics	Lists RIP communication on each IP interface.
Protocol IP Route Default Gateway	Displays and changes the default gateway.
Protocol IP Route Display/Edit	Displays and modifies routing entries.
Protocol IP Route Find	Finds learned routes to IP addresses.
Protocol IP Route Flush	Removes all learned routes from the routing table.
Protocol IP UDP Helper Display/Edit	Displays and modifies UDP helper entries.
Protocol IP Trace Route	Finds a route to a device.
Security Device Authentication Statistics	Lists the number of contacts made to RADIUS servers.
Security Device Authentication Summary	Displays details of RADIUS servers being used for authentication.
Security Device Authentication System Mode	Switches between local and RADIUS authentication.
Security Device HTTPS Detail	Displays the SSL certificate used for HTTPS management.
Security Device HTTPS Download Certificate	Downloads a new SSL certificate.
Security Device HTTPS Redirect	Redirects HTTP accesses to HTTPS accesses.
Security Device SSH Server Auth Host Key	Displays the SSH key.
Security Device SSH Server Auth Key Gen	Generates the SSH key.
Security Device Trusted IP Host Display/Edit	Restricts management access to specific IP addresses.
Security Device User Create	Creates a user.
Security Device User Modify	Modifies an existing user.
Security Device User Summary	Displays all configured users.
Security Network Access Port Privacy Display/Edit	Sets the SNMP community string required for management access through individual ports on the Switch.
Security Network Access Port Security	Sets the security mode of single or multiple ports on a Switch.
Security Network Access ACL Mask Config Display/Edit	Displays and edits subnet masks used in Access Control Lists.
Security Network Access ACL Port Bindings Bind	Binds one or all ports to a specific Access Control List.
Security Network Access ACL Port Bindings Summary	Lists ports bound to Access Control Lists.
Security Network Access ACL Port Bindings Unbind	Removes a port from an Access Control List.
Security Network Access ACL Add	Creates or edits an Access Control List.
Security Network Access ACL Display/Edit	Displays and edits an Access Control List.
Security Network Access Secure Address Display/Edit	Displays and edits the list of secure MAC addresses.
Security Network Access Detail	Displays summary information on port users.
Security Network Access Summary	Lists the security settings for each port.
Security Network Access System Summary	Displays details of RADIUS servers being used for authentication.
Security Radius Authentication Display	Displays a summary of RADIUS authentications.
Security Radius Authentication Modify	Changes the RADIUS server information.

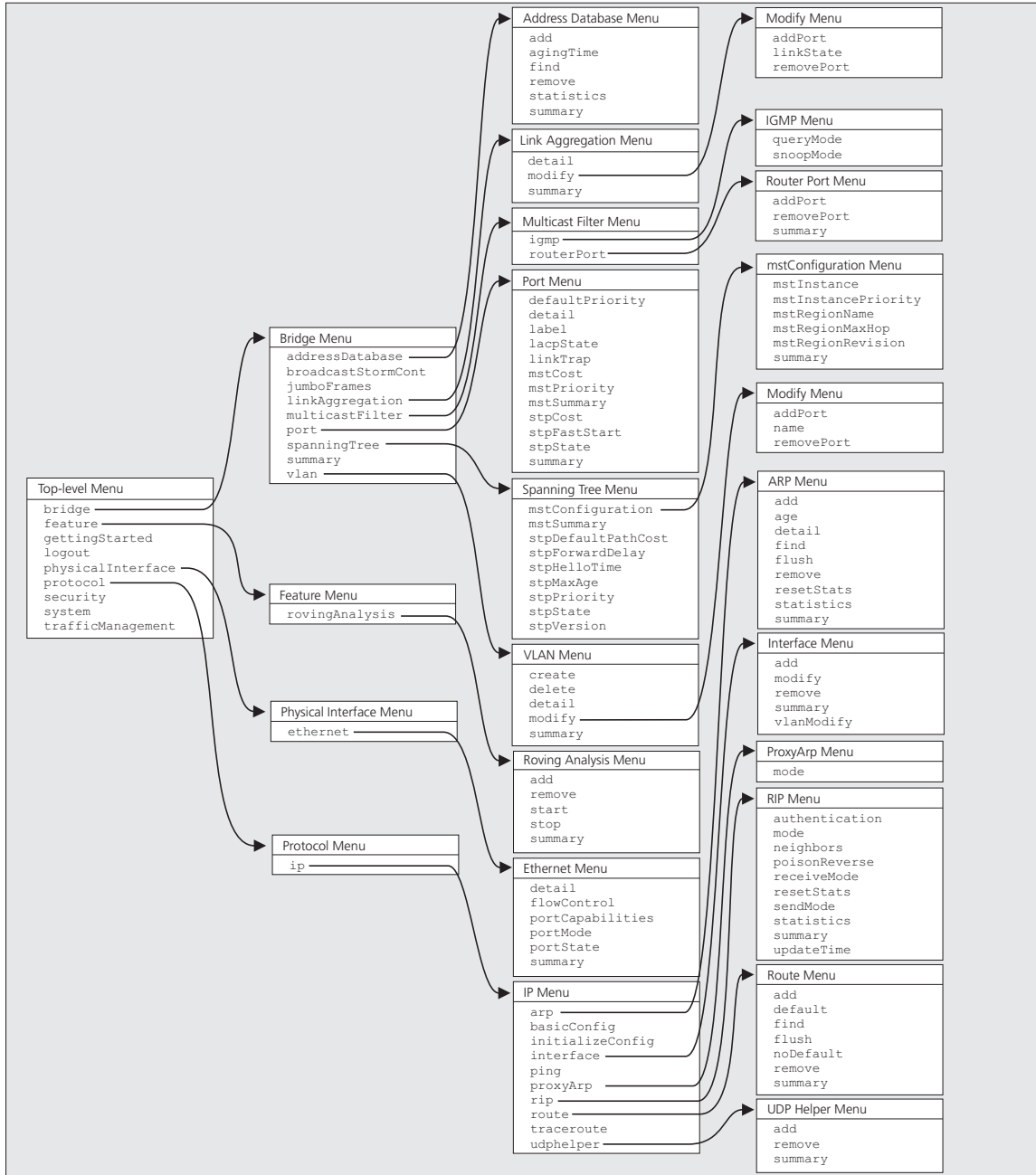
Operation (Continued)	Description
Security Radius Retries	Changes the timeout and number of retries used when accessing a RADIUS server.
Security Radius Shared Secret	Creates or edits the shared secret used to authenticate with RADIUS servers.
Security Radius Summary	Displays a summary of RADIUS authentications.
Traffic Management CoS Default Priority	Sets the default priority for each port.
Traffic Management CoS IP DSCP Priority	Edits the relationships between DSCP and CoS priorities.
Traffic Management CoS IP Port Priority	Edits the relationships between IP port numbers and CoS priorities.
Traffic Management QoS Service Mode	Enables selection of Quality of Service (QoS) service mode type.
Traffic Management QoS Traffic Queue	Displays a summary of the QoS traffic queues.
Traffic Management Rate Limit	Limits the rate of traffic to or from a port.



For detailed descriptions of the Web interface operations and the command line interface (CLI) commands that you require to manage the Switch, refer to the Management Interface Reference Guide supplied in HTML format on the CD-ROM that accompanies your Switch.

Command Line Interface Map

- **To display sub-menus:**
At the *Select menu option* prompt, enter the name of the menu or menus.
- **To display parent menus:**
At the *Select menu option* prompt, enter **quit**.
- **To display the top-level menu:**
Press the [Esc] key.
- **To obtain help:**
At the *Select menu option* prompt, enter **?**.



A Quick Guide to the Command Line Interface Commands

This table describes the commands that are available on the command line interface.

Command	Description
<code>bridge addressDatabase add</code>	Adds a statically configured address.
<code>bridge addressDatabase agingTime</code>	Sets the bridge address aging time.
<code>bridge addressDatabase find</code>	Finds an address.
<code>bridge addressDatabase remove</code>	Removes an address.
<code>bridge addressDatabase statistics</code>	Displays statistical summary information on addresses.
<code>bridge addressDatabase summary</code>	Displays summary information on addresses.
<code>bridge broadcastStormCont</code>	Enables or disables broadcast storm control.
<code>bridge jumboFrames</code>	Enables or disables jumbo frames on the Switch.
<code>bridge linkAggregation detail</code>	Displays detailed information on an aggregated link.
<code>bridge linkAggregation modify addPort</code>	Adds a port to an aggregated link.
<code>bridge linkAggregation modify linkState</code>	Enables or disables an aggregated link.
<code>bridge linkAggregation modify removePort</code>	Removes a port from an aggregated link.
<code>bridge linkAggregation summary</code>	Displays summary information on an aggregated link.
<code>bridge multicastFilter igmp queryMode</code>	Enables or disables IGMP query mode.
<code>bridge multicastFilter igmp snoopMode</code>	Enables or disables IGMP multicast learning.
<code>bridge multicastFilter routerPort addPort</code>	Adds a statically configured router port.
<code>bridge multicastFilter routerPort removePort</code>	Removes a router port.
<code>bridge multicastFilter routerPort summary</code>	Displays summary information on a router port.
<code>bridge port defaultPriority</code>	Sets the default 802.1D priority for untagged frames.
<code>bridge port detail</code>	Displays detailed information on a port.
<code>bridge port label</code>	Labels a port with user defined text.
<code>bridge port lacpState</code>	Enables or disables LACP on a port.
<code>bridge port linkTrap</code>	Enables or disables port link traps.
<code>bridge port mstCost</code>	Sets the MSTP cost of a single port.
<code>bridge port mstPriority</code>	Sets the MSTP priority of a single port.
<code>bridge port mstSummary</code>	Displays a summary for one or more MST instances.
<code>bridge port stpCost</code>	Sets the spanning tree path cost parameter.
<code>bridge port stpFastStart</code>	Enables or disables spanning tree fast start.
<code>bridge port stpState</code>	Enables or disables spanning tree on a port.
<code>bridge port summary</code>	Displays summary information on a port.
<code>bridge spanningTree mstConfiguration mstInstance</code>	Adds or removes a member of an MST instance.
<code>bridge spanningTree mstConfiguration mstInstancePriority</code>	Sets the MST priority for all members of an MST instance.
<code>bridge spanningTree mstConfiguration mstRegionName</code>	Names the MST region containing the Switch.
<code>bridge spanningTree mstConfiguration mstRegionMaxHop</code>	Defines the size of an MST region by the number of hops to its edge.

Command (Continued)	Description
bridge spanningTree mstConfiguration mstRegionRevision	Changes the MST revision level for a region.
bridge spanningTree mstConfiguration summary	Displays summary information for all MST instances.
bridge spanningTree mstSummary	Displays detailed information for a single MST instance.
bridge spanningTree stpDefaultPathCost	Sets the bridge spanning tree default cost.
bridge spanningTree stpForwardDelay	Sets the bridge spanning tree forward delay parameter.
bridge spanningTree stpHelloTime	Sets the bridge spanning tree hello time parameter.
bridge spanningTree stpMaxAge	Sets the bridge spanning tree maximum age parameter.
bridge spanningTree stpPriority	Sets the bridge spanning tree priority parameter.
bridge spanningTree stpState	Enables or disables spanning tree on a bridge.
bridge spanningTree stpVersion	Selects the version of spanning tree to run on a bridge.
bridge summary	Displays bridge information for the Switch.
bridge vlan create	Creates a VLAN.
bridge vlan delete	Deletes a VLAN.
bridge vlan detail	Displays detailed information on a VLAN.
bridge vlan modify addPort	Adds a port to a VLAN.
bridge vlan modify name	Names a VLAN.
bridge vlan modify removePort	Removes a port from a VLAN.
bridge vlan summary	Displays summary information on a VLAN.
feature rovingAnalysis add	Configures the roving analysis port.
feature rovingAnalysis remove	Clears the roving analysis port.
feature rovingAnalysis start	Starts monitoring the roving analysis port.
feature rovingAnalysis stop	Stops monitoring the roving analysis port.
feature rovingAnalysis summary	Displays summary information on the roving analysis port.
gettingStarted	Guides you through the initial configuration of the stack.
logout	Logs out of the Command Line Interface.
physicalInterface ethernet detail	Displays detailed information on an Ethernet port.
physicalInterface ethernet flowControl	Enables or disables flow control.
physicalInterface ethernet portCapabilities	Sets the port capabilities.
physicalInterface ethernet portMode	Sets the port speed and duplex mode.
physicalInterface ethernet portState	Enables or disables an Ethernet port.
physicalInterface ethernet summary	Displays summary information on an Ethernet port.
protocol ip arp add	Manually adds an entry to the ARP cache.
protocol ip arp age	Sets the time that an entry stays in the ARP cache.
protocol ip arp detail	Displays the current entries in the ARP cache.
protocol ip arp find	Finds an ARP entry for a specific IP address.
protocol ip arp flush	Removes all dynamic entries from the ARP cache.
protocol ip arp remove	Removes a specific entry from the ARP cache.
protocol ip arp resetStats	Resets ARP cache statistics.
protocol ip arp statistics	Displays ARP cache statistics.

Command (Continued)	Description
<code>protocol ip arp summary</code>	Displays used and available space in the ARP cache.
<code>protocol ip basicConfig</code>	Performs basic IP management configuration.
<code>protocol ip initializeConfig</code>	Resets IP information to factory defaults.
<code>protocol ip interface add</code>	Adds an IP interface to the Switch.
<code>protocol ip interface modify</code>	Modifies IP interface information.
<code>protocol ip interface remove</code>	Removes an IP interface from the Switch.
<code>protocol ip interface summary</code>	Displays summary information on the IP interface.
<code>protocol ip interface vlanModify</code>	Changes the VLAN used to manage the Switch.
<code>protocol ip ping</code>	Polls remote devices.
<code>protocol ip proxyArp mode</code>	Enables or disables Proxy ARP on IP interfaces.
<code>protocol ip rip authentication</code>	Sets RIPv2 authentication mode and key.
<code>protocol ip rip mode</code>	Enables or disables global RIP operation.
<code>protocol ip rip neighbors</code>	Displays "well known" neighbors information.
<code>protocol ip rip poisonReverse</code>	Enables or disables poison reverse on the interface.
<code>protocol ip rip receiveMode</code>	Sets interface receive mode.
<code>protocol ip rip resetStats</code>	Resets RIP statistics.
<code>protocol ip rip sendMode</code>	Sets interface send mode.
<code>protocol ip rip statistics</code>	Displays RIP interface statistics.
<code>protocol ip rip summary</code>	Displays RIP information.
<code>protocol ip rip updateTime</code>	Sets the time of RIP updates transmission.
<code>protocol ip route add</code>	Adds a static route.
<code>protocol ip route default</code>	Defines the default route in the routing table.
<code>protocol ip route find</code>	Finds an existing route in the routing table.
<code>protocol ip route flush</code>	Removes all learned routes from the routing table.
<code>protocol ip route noDefault</code>	Removes the default route from the routing table.
<code>protocol ip route remove</code>	Removes an existing route.
<code>protocol ip route summary</code>	Displays summary information on the routing table.
<code>protocol ip traceroute</code>	Traces the route of IP packets.
<code>protocol ip udpHelper add</code>	Creates UDP helper servers.
<code>protocol ip udpHelper remove</code>	Removes a UDP helper.
<code>protocol ip udpHelper summary</code>	Displays settings for forwarded UDP protocol types.
<code>security device authentication statistics</code>	Displays authentication statistics.
<code>security device authentication summary</code>	Displays summary information on authentication.
<code>security device authentication systemMode</code>	Modifies the authentication mode.
<code>security device https detail</code>	Displays the HTTPS certificate.
<code>security device https download</code>	Downloads a new HTTPS certificate.
<code>security device https redirect</code>	Sets the Switch to always use HTTPS.
<code>security device ssh serverauth hostkey</code>	Displays the public host key.
<code>security device ssh serverauth keygen</code>	Generates a new key pair.

Command (Continued)	Description
<code>security device ssh userauth userkey delete</code>	Deletes a public key for the specified client.
<code>security device ssh userauth userkey detail</code>	Displays detailed information on a client's public key.
<code>security device ssh userauth userkey download</code>	Downloads a client's public key from a TFTP server.
<code>security device ssh userauth userkey summary</code>	Displays summary information for all the client public keys.
<code>security device trustedIpHost add</code>	Adds a trusted IP host or subnet.
<code>security device trustedIpHost delete</code>	Deletes an existing trusted IP host or subnet.
<code>security device trustedIpHost mode</code>	Enables or disables trusted IP hosts.
<code>security device trustedIpHost summary</code>	Lists trusted IP hosts.
<code>security device user create</code>	Creates a user.
<code>security device user delete</code>	Deletes a user.
<code>security device user modify</code>	Modifies a user.
<code>security device user summary</code>	Displays summary information on users.
<code>security network access acl add</code>	Adds an Access Control List rule.
<code>security network access acl detail</code>	Displays detailed information on Access Control Lists.
<code>security network access acl maskconfig create</code>	Defines the fields to check in the packet header.
<code>security network access acl maskconfig delete</code>	Deletes an Access Control List mask.
<code>security network access acl maskconfig modify</code>	Edits an Access Control List mask.
<code>security network access acl maskconfig summary</code>	Lists configured Access Control List masks.
<code>security network access acl portbindings bind</code>	Binds a port to an Access Control List.
<code>security network access acl portbindings summary</code>	Lists Access Control Lists in use by port.
<code>security network access acl portbindings unbind</code>	Unbinds a port from an Access Control List.
<code>security network access acl remove</code>	Removes an Access Control List rule.
<code>security network access acl summary</code>	Lists Access Control Lists.
<code>security network access detail</code>	Displays summary information on port users.
<code>security network access portSecurity</code>	Sets the port security operation mode and options.
<code>security network access portPrivacy</code>	Sets the SNMP community string required for management access through individual ports on the Switch.
<code>security network access secureAddresses add</code>	Adds a MAC address to the list of secure addresses.
<code>security network access secureAddresses remove</code>	Removes a MAC address from the list of secure addresses.
<code>security network access secureAddresses summary</code>	Displays a list of secure addresses.
<code>security network access summary</code>	Displays summary information on port security settings.
<code>security network access systemMode</code>	Enables or disables network security.
<code>security network access systemSummary</code>	Displays summary information on the system security settings.
<code>security radius authentication display</code>	Displays RADIUS authentication statistics.
<code>security radius authentication modify</code>	Modifies RADIUS authentication configuration.
<code>security radius retries</code>	Modifies RADIUS retry parameters.
<code>security radius setup</code>	Performs RADIUS configuration.
<code>security radius sharedSecret</code>	Modifies RADIUS security key.
<code>security radius summary</code>	Displays summary information on RADIUS.
<code>system backupConfig restore</code>	Restores the configuration of the Switch from a backup file.

Command (Continued)	Description
<code>system backupConfig save</code>	Saves the current configuration of the Switch to a backup file.
<code>system console speed</code>	Configures the port speed.
<code>system control initialize</code>	Resets to factory defaults.
<code>system control reboot</code>	Performs a system reboot.
<code>system control renumber</code>	Renumbers the Switch(es) in a stack starting from the top unit
<code>system control softwareUpgrade</code>	Performs an agent software upgrade.
<code>system control swapSoftware</code>	Changes to standby agent software.
<code>system inventory</code>	Displays stack information.
<code>system management contact</code>	Sets the system contact.
<code>system management location</code>	Sets the system location.
<code>system management name</code>	Sets the system name.
<code>system management password</code>	Sets the system password.
<code>system management snmp community</code>	Sets the SNMP community string.
<code>system management snmp engineId</code>	Sets the engine ID for the SNMP agent on the Switch.
<code>system management snmp linkTraps</code>	Enables or disables link up or link down traps.
<code>system management snmp notify create</code>	Adds recipients for traps or inform messages.
<code>system management snmp notify delete</code>	Deletes recipients for traps or inform messages.
<code>system management snmp notify modify</code>	Modifies recipients for traps or inform messages.
<code>system management snmp notify summary</code>	Displays recipients for traps or inform messages.
<code>system management snmp trap create</code>	Creates a trap destination.
<code>system management snmp trap delete</code>	Deletes a trap destination.
<code>system management snmp trap modify</code>	Modifies a trap destination.
<code>system management snmp trap summary</code>	Displays summary information on a trap destination.
<code>system summary</code>	Displays a summary of system information.
<code>trafficManagement cos setup</code>	Starts the CoS configuration wizard.
<code>trafficManagement cos summary</code>	Displays CoS summary information.
<code>trafficManagement qos trafficQueue serviceMode</code>	Enables selection of Quality of Service (QoS) mode type.
<code>trafficManagement qos trafficQueue summary</code>	Displays a summary of the QoS traffic queues.
<code>trafficManagement rateLimiting setup</code>	Starts the rate limiting configuration wizard.
<code>trafficManagement rateLimiting summary</code>	Displays rate limiting summary information.



For detailed descriptions of the Web interface operations and the command line interface (CLI) commands that you require to manage the Switch, refer to the Management Interface Reference Guide supplied in HTML format on the CD-ROM that accompanies your Switch.

Copyright © 2004-2005, 3Com Corporation. All rights reserved.

Unless otherwise indicated, 3Com registered trademarks are registered in the United States and may or may not be registered in other countries.

3Com, the 3Com logo, and SuperStack are registered trademarks of 3Com Corporation.

IEEE and 802 are registered trademarks of the Institute of Electrical and Electronics Engineers, Inc.

Other brand and product names may be registered trademarks or trademarks of their respective holders.

Part Number: DQA174509-1AAA01

Published: October 2005