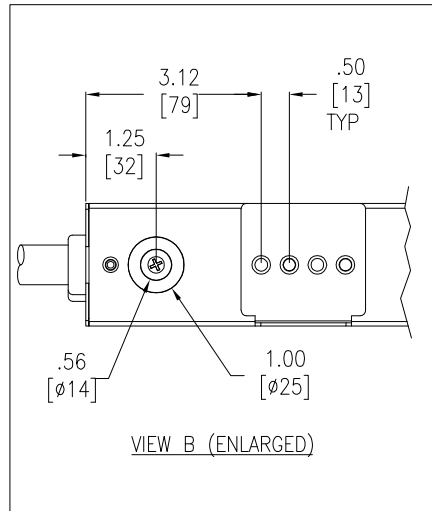
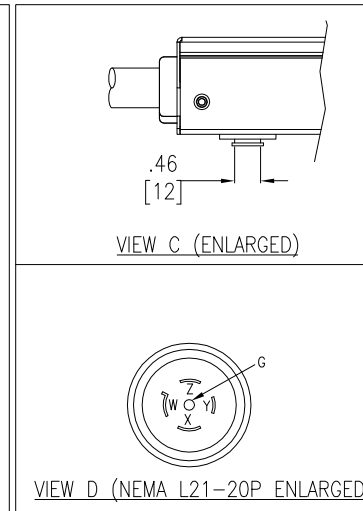


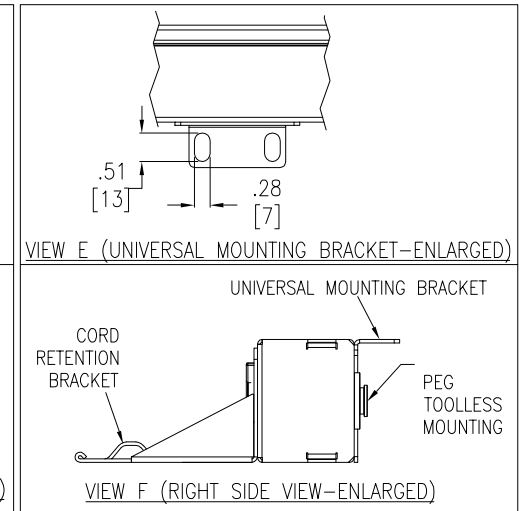
VIEW A (ENLARGED-DISPLAY INTERFACE)



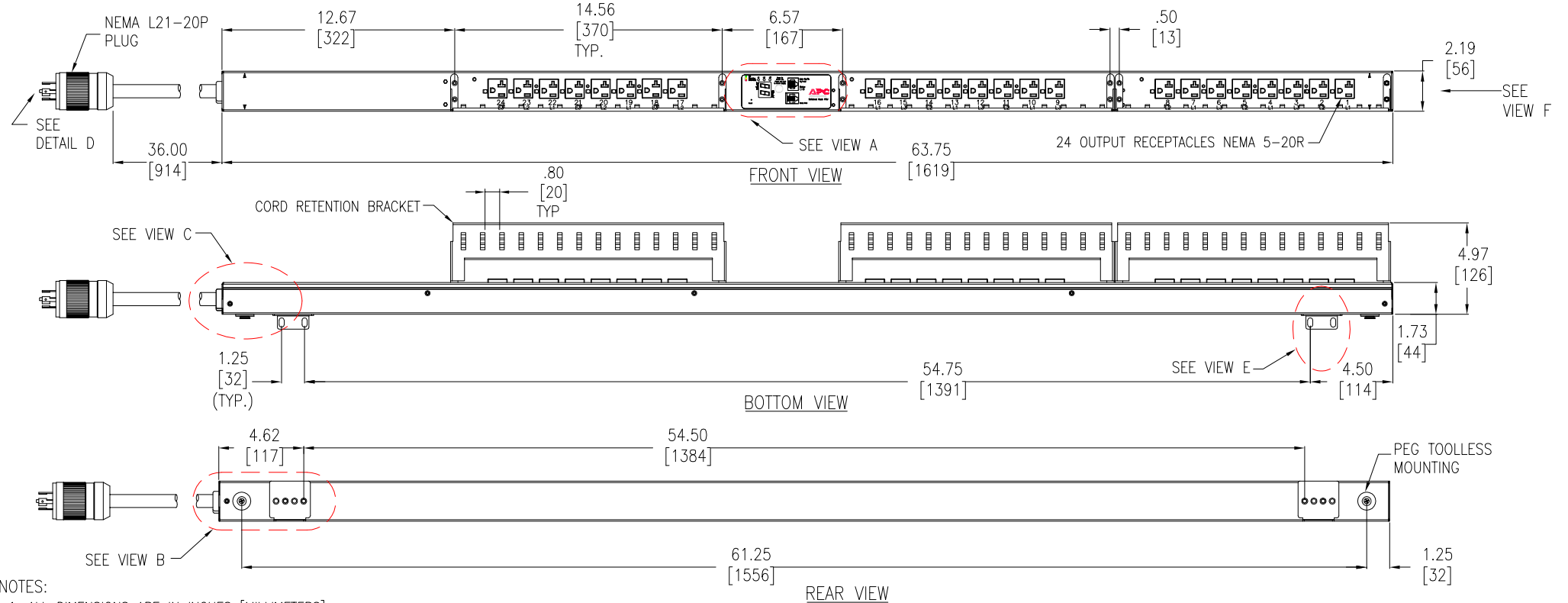
VIEW B (ENLARGED)



VIEW D (NEMA L21-20P ENLARGED)



VIEW F (RIGHT SIDE VIEW-ENLARGED)

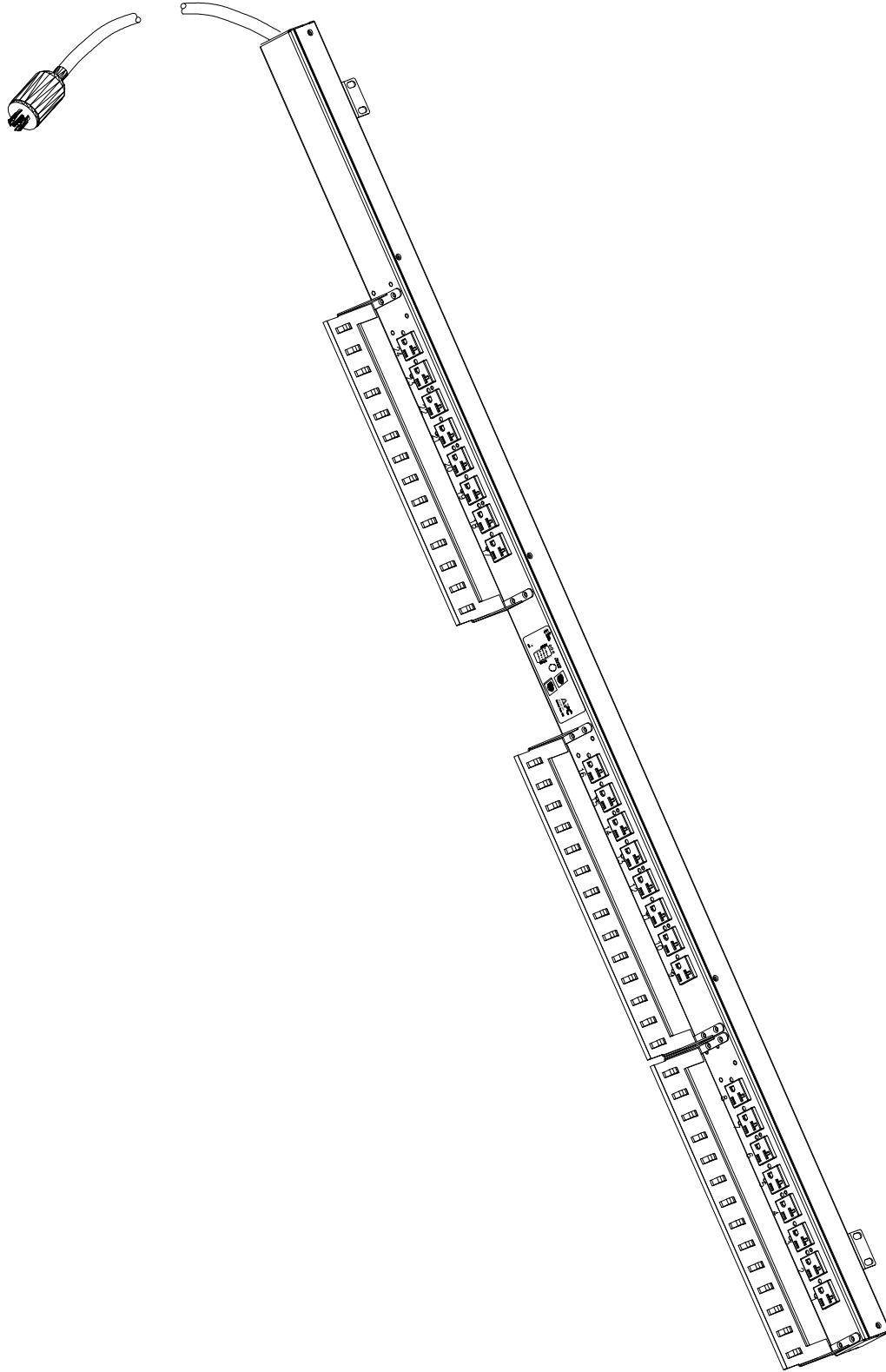


NOTES:

1. ALL DIMENSIONS ARE IN INCHES [MILLIMETERS].
2. NET WEIGHT IS 13 LBS [5.9kg]
3. UNIVERSAL MOUNTING BRACKET IS AN ALTERNATIVE MOUNTING METHOD TO THE TOOLLESS MOUNT FOR NON APC RACKS.
4. BRACKET KITS TO MOUNT TO SPECIFIC COMPETITORS RACKS ARE AVAILABLE AS OPTIONS.
5. INSTALLATION MUST COMPLY WITH ALL APPLICABLE NATIONAL AND LOCAL CODES.

THIS DRAWING AND SPECIFICATIONS HEREIN ARE THE PROPERTY OF AMERICAN POWER CONVERSION AND SHALL NOT BE COPIED, REPRODUCED OR USED IN WHOLE OR IN PART, AS THE BASIS FOR THE MANUFACTURE OR SALE OF ITEMS WITHOUT WRITTEN PERMISSION FROM APC. THIS DRAWING IS BASED UPON LATEST AVAILABLE INFORMATION AND IS SUBJECT TO CHANGE WITHOUT NOTICE.		TITLE: RACK PDU, SWITCHED ZERO U, 5.7kW, 120V, INPUT: NEMA L21-20P OUTPUT: (24) NEMA 5-20R MAIN MECHANICAL	DWG NO: AP7960-MM1	REV: 1	<p>AMERICAN POWER CONVERSION 132 FABRICATIONS RD WEST KINGSTON, RI 02892</p>	
PROJECT: SUBMITTAL DRAWING	SHEET 1 OF 2	DRAWN BY: JAYAPRAKASH	09/26/05	CHECKED BY: T.HORSTMANN		09/26/05
		ENGINEER: J.RING/ E.SILVA	09/26/05			

ISOMETRIC VIEW



THIS DRAWING AND SPECIFICATIONS HEREIN ARE THE PROPERTY OF AMERICAN POWER CONVERSION AND SHALL NOT BE COPIED, REPRODUCED OR USED IN WHOLE OR IN PART, AS THE BASIS FOR THE MANUFACTURE OR SALE OF ITEMS WITHOUT WRITTEN PERMISSION FROM APC. THIS DRAWING IS BASED UPON LATEST AVAILABLE INFORMATION AND IS SUBJECT TO CHANGE WITHOUT NOTICE.

TITLE: RACK PDU, SWITCHED
 ZERO U, 5.7kW, 120V, INPUT: NEMA L21-20P
 OUTPUT: (24)NEMA 5-20R
 ISOMETRIC VIEW

PROJECT: SUBMITTAL DRAWING SHEET 2 OF 2

DWG NO: AP7960-MM2 REV. 1

DRAWN BY: JAYAPRAKASH	09/26/05
CHECKED BY: T.HORSTMANN	09/26/05
ENGINEER: J.RING/ E.SILVA	09/26/05

APC[®]
 AMERICAN POWER CONVERSION
 132 FAIRGROUNDS RD
 WEST KINGSTON, RI 02892