

Product Selector

10G Ethernet Switch Chip Family

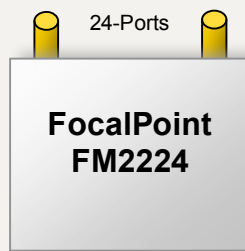
The FocalPoint FM2000 Series of fully integrated wire-speed Ethernet switch chips leads the market in low-latency intelligent switching, delivering cut-through latency as low as 200ns. With robust layer-2 switching capabilities and the ubiquity of Ethernet, the FM2000 Series provides solutions for a number of existing and emerging applications. With the unprecedented level of integration and a variety of device variants, FocalPoint removes the cost barrier for rapid and far-reaching deployment of 10G Ethernet. The FM2000 products come in a variety of port configurations and packages sizes that are tailored for key applications ranging from server clustering to port aggregation as shown in the figures below.

FM2224 Overview

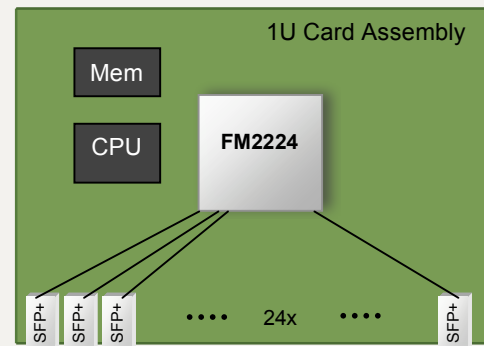
- 24 10G Ports
- 32W max (typical operation)
- 40mm, 1433 BGA Package

The FM2224 offers unparalleled performance and cost efficiency for full-speed 10G Ethernet connectivity. It can be the core of a stackable switch, providing full-featured, low-latency switching between clustered computers in a data center.

10G (XAUI, CX4)
10/100/1000/2500 (SGMII, CX)



FM2224 High-Density 1U Datacenter Switch



FM2212 Overview

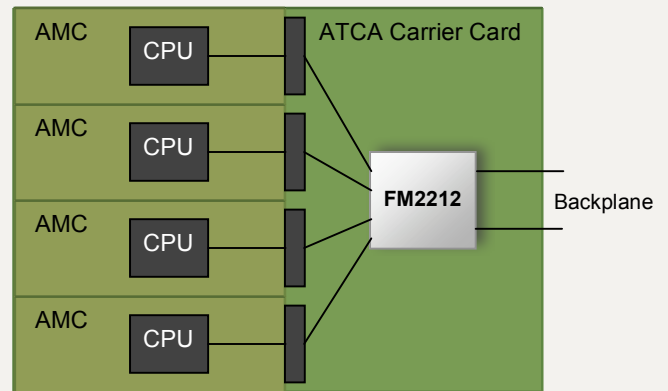
- 12 10G Ports
- 19W max (typical operation)
- 40mm, 1433 BGA Package

The FM2212 offers a high bandwidth, standards-based interconnect for ATCA carrier card and AMC modules. The extensive Layer 2 capabilities, flexible port speed configurations and superior performance make it ideal for this and related applications.

10G (XAUI, CX4)
10/100/1000/2500 (SGMII, CX)



FM2212 ATCA Carrier Card

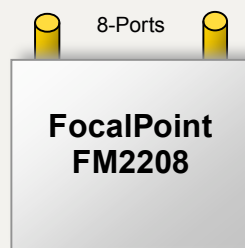


FM2208 Overview

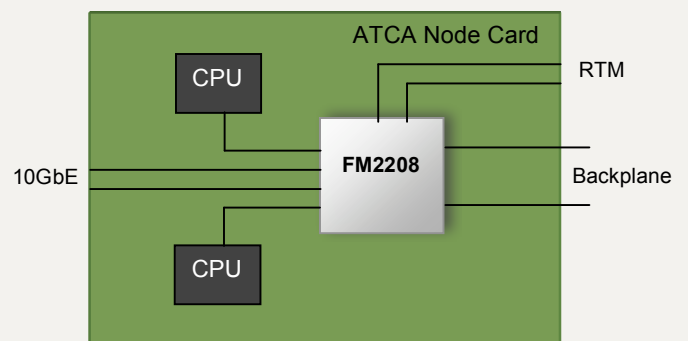
- 8 10G Ports
- 15W max (typical operation)
- 32mm, 897 BGA Package

The FM2208 offers a low cost fabric solutions for ATCA node card interconnects. The extensive Layer 2 capabilities, flexible port speeds and superior performance make it ideal for this and related applications.

10G (XAUI, CX4)
10/100/1000/2500 (SGMII, CX)



FM2208 ATCA Node Card

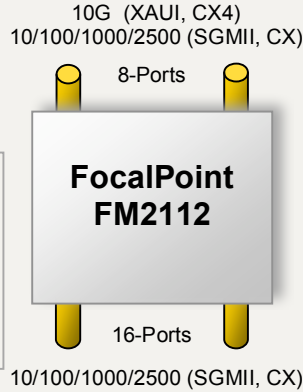


FocalPoint FM2000 Series

FM2112 Overview

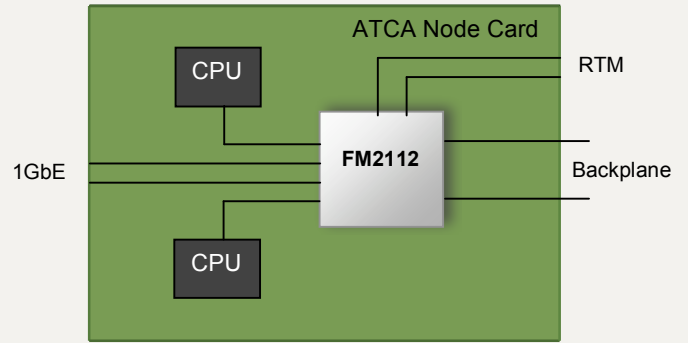
- 8 10G Ports
- 16 1G Ports
- 20W max (typical operation)
- 32mm, 897 BGA Package

The FM2112 provides the same capabilities as the FM2208, but with the addition of 16 GbE access/aggregation ports. This allows the development of powerful ATCA node cards with Gigabit Ethernet access.



10G Ethernet Switch Chip Family

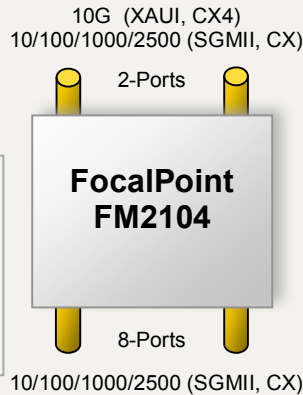
FM2112 ATCA Node Card



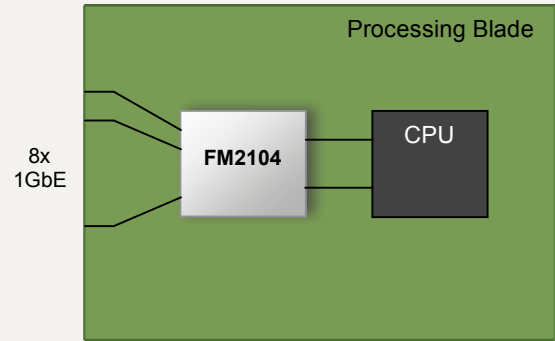
FM2104 Overview

- 2 10G Ports
- 8 1G Ports
- 11W max (typical operation)
- 32mm, 897 BGA Package

CPUs with XAUI interfaces can be enhanced using the FM2104 which adds 8-ports of Ethernet access. In addition, it provides extensive Layer 2 capabilities, flexible port speeds and superior performance.



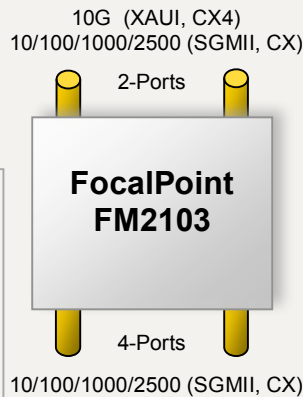
FM2104 Ethernet Access



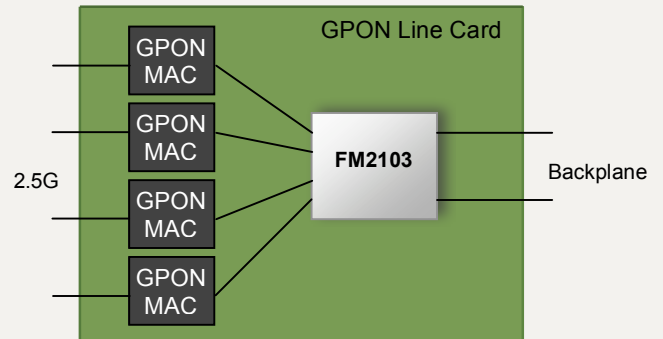
FM2103 Overview

- 2 10G Ports
- 4 1G Ports
- 9.5W max (typical operation)
- 32mm, 897 BGA Package

The FM2103 offers unparalleled performance and cost efficiency for GPON line cards. The device's support for proprietary header formats and flexible VLAN operating modes make it ideal for this application.



FM2103 GPON Line card



For more information:
 Phone: 818-871-8100
 E-mail: info@fulcrummicro.com
 Web: www.fulcrummicro.com