

EXTENDER 6000 / 7000 CABLES & CONNECTORS

This document outlines the cables required for the installation of the Citel EXTenders (6000, 7000)

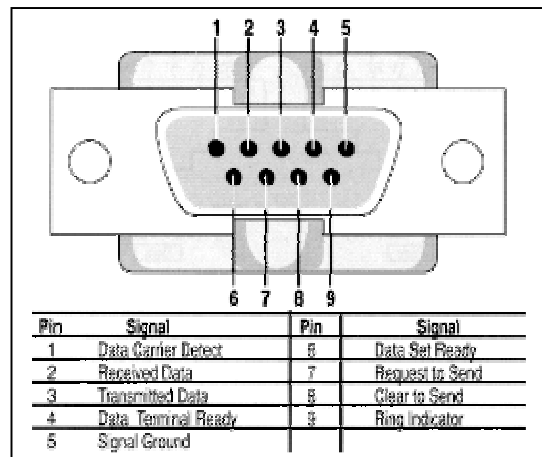
#1 CABLE:

9 Pin M-F Straight Through Serial Cable, All pins straight through. One cable is supplied with the EXTender units.

USED WHERE: Connection to the Console Port for configuration



Citel Part #: A-CDB9MF-LF
Blackbox Part #: 5 ft (1.5m), EDN12H-0005-MF



#2 CABLE:

DB-25 M-F Serial Connection, One cable is supplied with each of the multiple port units except the E-GWY2T-SUM and E-7000T-RUM

USED WHERE: WAN Connection to the CSU/DSU



Citel Part #: A-CDB25MF-1-LF
Blackbox Part #:
 5 ft. EVN530-0005-MF
 10 ft. EVN530-0010-MF
 25 ft. EVN530-0025-MF

PINOUTs for DB25 WAN Cable

RS-232 (DB-25) Serial Connector Pinouts

Signal/Voltage Source	Signal Designations	Pin #	Pin #	Signal Designations	Signal/Voltage Source
DTE	Secondary Transmitted Data	14	1	Shield	Common
DCE	Transmit Clock	15	2	TD Transmit Data	DTE
DCE	Secondary Receive Data	16	3	RD Received Data	DCE
DCE	Receiver Clock	17	4	RTS Request To Send	DTE
DTE	Local Loopback	18	5	CTS Clear To Send	DCE
DTE	Request To Send (Return)	19	6	DSR DCE Ready	DCE
DTE	Data Terminal Ready	20	7	Signal Ground	Common
-	Remote Loopback	21	8	DCD Rcv'd Line Signal Detect	DCE
DCE	Ring Indicator	22	9	(+) DC Test Voltage	DCE
-	Data Signal Rate Selector	23	10	(-) DC Test Voltage	DCE
DTE	Transmit Clock	24	11	Unassigned	-
DCE	Test Mode	25	12	SCF/CI Secondary Rcv'd Line	DCE
			13	Secondary Clear To Send	DCE

V.35 (DB-25) Serial Connector Pinouts

Signal/Voltage Source	Signal Designations	Pin #	Pin #	Signal Designations	Signal/Voltage Source
DCE	Test Mode	25	13	-	-
DTE	External Transmit Clock (a)	24	12	Tranmit Clock (b)	DTE
-	-	23	11	External Transmit Clock (b)	DTE
-	-	22	10	-	-
DTE	Remote Loopback	21	9	Receive Clock (b)	DCE
DTE	Data Terminal Ready	20	8	Carrier Detect	DCE
-	-	19	7	Signal Ground	-
DTE	Local Loopback	18	6	Data Set Ready	DCE
DCE	Receive Clock (a)	17	5	Clear To Send	DCE
DCE	Receive Data (b)	16	4	Request To Send	DTE
DCE	Transmit Clock (a)	15	3	Receive Data (a)	DCE
DTE	Transmit Data (b)	14	2	Transmit Data (a)	DTE
			1	Frame Ground	-

RS-530 (DB-25) Serial Connector Pinouts

Signal/Voltage Source	Signal Designations	Pin #	Pin #	Signal Designations	Signal/Voltage Source
Common	Transmitted Data (Return)	14	1	Shield	Common
DCE	Transmit Clock	15	2	Transmitted Data	DTE
Common	Received Data (Return)	16	3	Rreceived Data	DCE
DCE	Receiver Clock	17	4	Request To Send	DTE
DTE	Local Loopback	18	5	Clear To Send	DCE
Common	Request To Send (Return)	19	6	DCE Ready	DCE
DTE	Data Terminal Ready	20	7	Signal Ground	Common
DTE	Remote Loopback	21	8	Carrier Detect	DCE
Common	Data Set Ready (Return)	22	9	Receiver Clock (Return)	Common
Common	Data Terminal Ready (Return)	23	10	Carrier Detect (Return)	Common
DTE	DTE Transmitter Clock	24	11	DTE Transmitter Clock (Return)	Common
DCE	Test Mode	25	12	Transmitter Clock (Return)	Common
			13	Clear to Send (Return)	Common

#3 CONNECTOR:

V.35 Winchester Adapter, this is not supplied by Citel. Only used in Serial WAN connection.

WHERE USED: Convert from DB-25 Female (RS-530) to V.35 Male on CSU/DSU



FA059-R2

Citel Part #: n/a

Blackbox Part #: FA059-R2

#4 CABLE:

Amphenol Straight Through M-F Cable, not supplied by Citel.

WHERE USED: is required to connect from the EXTender to the punchdown block.



Citel Part #: n/a

Blackbox Part #:

5 ft. ELN25T-0005-MF

25ft. ELN25T-0025-MF

#5 CABLE:

Ethernet Straight Through Cable, one cable is supplied by Citel.

WHERE USED: For the purpose of IP traffic for RVP_OVER_IP connection, remote telnet access and remote maintenance.



Citel Part #: 6 ft. A-CERJ45ST-LF

Blackbox Part #: 7ft. EVNSL01-0007

#6 CABLE:

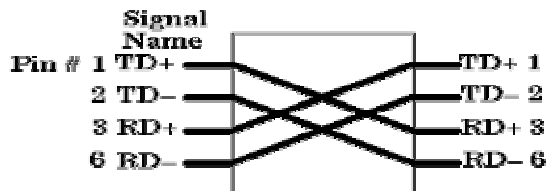
Ethernet Crossover Cable, not supplied by Citel.

USED WHERE: For the purpose of FTP Uploading of software (PC to Ethernet port) and testing units back to back (Ethernet port to Ethernet port).



Citel Part #: n/a
Blackbox Part #: 6ft. EVCRB05-006

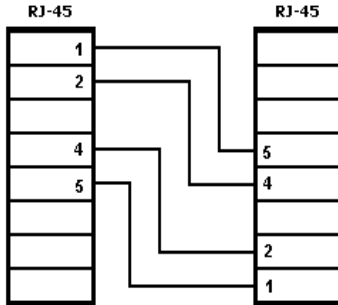
Pin 1 -> pin 3, pin 2 -> pin 6, pin 3 -> pin 1, and pin 6 -> pin 2.
All of the other pins are left open.



#7 CABLE:

T1 Crossover Cable, not supplied by Citel

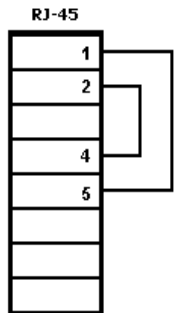
WHERE USED: This cable is used to connect two T1 CSU/DSU's (eg. Adtran TSU120) products in a back-to-back configuration.



#8 CABLE:

T1 Loopback Adapter, not supplied by Citel Technologies

WHERE USED: For network WAN Loopback tests.



**#9: E-GWY2T-SUM / E-7000T-RUM, CABLES FOR ADD/DROP DATA,
WAN TO DB60 ON CISCO ROUTER**

DB-25 DCE Serial WAN Cable F-F, one cable supplied by Citel for each unit



Citel Part #: A-CDB25FF

Blackbox Part #:

5 ft. EVN530-0005-FF

10 ft. EVN530-0010-FF

25 ft. EVN530-0025-FF

DB25 – V.35 M-F Adapter, not supplied by Citel



Citel Part #: n/a

Blackbox Part #: FA-058 (exact picture not shown above)

V.35 – DB60 DCE M-M Cable, Adapter to Cisco Router, not supplied by Citel.



Citel Part #: n/a

Blackbox Part #:

6ft. EHC110-0006

10ft. ECH110-0010

For Further Assistance, Please Contact Citel Technical Support @ 1-877-248-3587