

# Cyclades-TS Series

## Console Servers

The Cyclades-TS family of Console Servers provides you secure and reliable management of your network and servers from anywhere in the world. Available in many different port count models in a 1U form factor, the Cyclades-TS helps to maximize network and server availability with scalability and cost-effectiveness.

Security features such as SSH v2, RADIUS authentication, IP filtering, and user access lists per port allow data center managers and system administrators to remotely manage the network and servers with greater control and peace of mind.

Console management features such as data buffering, direct access methods to the serial ports (such as TCP port and server name) and event notification improve monitoring capabilities, allowing faster problem solving actions and higher network uptime.

Instead of using proprietary software technologies, the Cyclades-TS Series leverages on Open Source software (Linux), giving users the freedom to customize its operation, modifying or adding features as needed.

The Cyclades-TS family of Console Servers decreases network maintenance costs while increasing efficiency and productivity. That's why the Cyclades-TS is the right choice for secure in-band and out-of-band data center management.



### Applications:

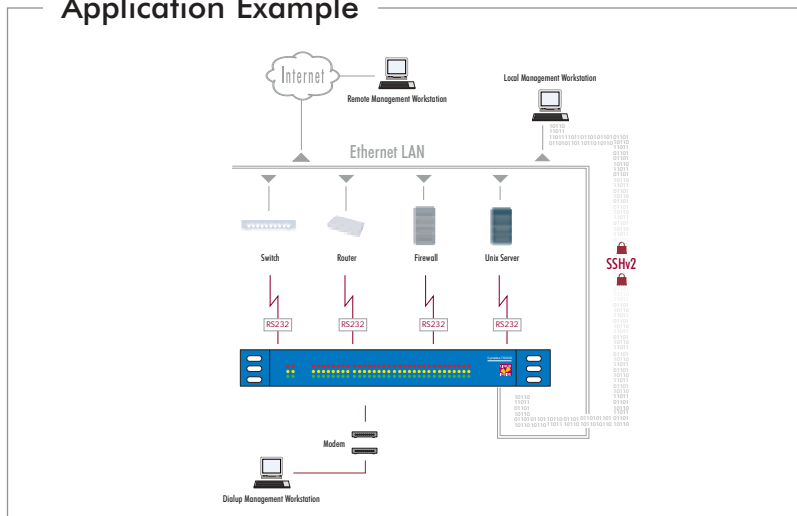
- Console Port Management
- Server and Network Management
- Terminal Server
- Industrial/Commercial Automation
- Ethernet-attached Serial Board Replacement

### Benefits:

- Secure In-band and Out-of-band Network Management
- Rack Space Savings (1U form factor)
- Improved Network Monitoring
- Rock-solid stability (Linux Inside)
- Linux Inside



### Application Example



# Cyclades-TS Series Specifications

Hardware	Features																											
<p><b>CPU:</b> MPC855T (PowerPC Dual-CPU)</p> <p><b>Memory:</b> 32MB RAM / 4MB Flash (TS100) 32MB RAM / 4MB Flash (TS400/TS800) 32MB RAM / 4MB Flash (TS1000) 64MB RAM / 4MB Flash (TS2000) 128MB RAM / 16MB CompactFlash (TS3000)</p> <p><b>Interfaces:</b> 1 Ethernet 10/100BT on RJ-45 1 RS-232 Console on RJ-45 RS-232 Serial Ports on RJ-45</p> <p><b>Power:</b> External Universal AC, 100-240VAC, 50/60 Hz, 5VDC, 6W max (TS400/TS800) Internal 100-240VAC, 50/60 Hz, 28W max<sup>†</sup> (TS1000) Internal 100-240VAC, 50/60 Hz, 37W max<sup>†</sup> (TS2000) Internal 100-240VAC, 50/60 Hz, 17W max, (TS3000) <sup>†</sup> -48VDC option available</p> <p><b>Operating Temperature:</b> 50°F to 112°F (10°C to 44°C)</p> <p><b>Dimensions: (WxDxH)</b> 8.5 x 4.75 x 1 in (21.59 x 12.07 x 2.54 cm) (TS400/TS800) 17 x 7 x 1.75 in (43.18 x 17.78 x 4.45 cm) (TS1000/TS2000) 17 x 8.5 x 1.75 in (43.18 x 21.59 x 4.45 cm) (TS3000)</p> <p><b>Certification:</b> FCC Part 15, A EN55022, A EN55024 (TS1000/TS2000/TS3000) UL 1950 (TS1000/TS2000/TS3000) Solaris Ready™</p>	<p><b>Operating System</b></p> <ul style="list-style-type: none"> <li>Linux</li> </ul> <p><b>Accessibility</b></p> <ul style="list-style-type: none"> <li>In-Band (Ethernet) and Out-of-band (Dial-up modem) support</li> </ul> <p><b>Security</b></p> <ul style="list-style-type: none"> <li>SSH v1 and v2</li> <li>Local, RADIUS, TACACS+ and LDAP Authentication</li> <li>Token-based strong authentication (SecurID)</li> <li>Local backup user authentication support</li> <li>PAP/CHAP authentication (for dial-up lines)</li> <li>IP Packet and Security Filtering</li> <li>User Access Lists per port</li> <li>System Event Syslog</li> </ul> <p><b>Console Management</b></p> <ul style="list-style-type: none"> <li>Sun break-safe (Solaris Ready™ Certified)</li> <li>Break Over SSH support</li> <li>Off-line data buffering - Local or Remote (NFS/Syslog)</li> <li>Timestamp for data buffering</li> <li>Unlimited number of simultaneous sessions</li> <li>Simultaneous access on the same port (port sniffing)</li> <li>Clustering (central access to multiple console servers)</li> <li>Event notification (email, pager, SNMP trap)</li> </ul> <p><b>Port Access</b></p> <ul style="list-style-type: none"> <li>Directly by TCP port, IP address or server name</li> <li>Telnet/SSH with menu</li> <li>HTTP/HTTPS</li> </ul> <p><b>System Management</b></p> <ul style="list-style-type: none"> <li>Configuration wizard for first time users</li> <li>Command Line Interface (Linux Shell)</li> <li>Web Management Interface (HTTP/HTTPS)</li> <li>SNMP</li> </ul> <p><b>Cabling</b></p> <ul style="list-style-type: none"> <li>CAT5 compatible adapters for simpler cabling *</li> </ul> <p><b>Upgrades</b></p> <ul style="list-style-type: none"> <li>Upgrades available on FTP site, no charge</li> <li>Flash upgradable</li> <li>TFTP support for network boot</li> </ul> <p><b>Customization</b></p> <ul style="list-style-type: none"> <li>Cyclades Development Kit (CDK) available for custom applications, no charge</li> </ul> <p><b>Additional Protocols Supported</b></p> <ul style="list-style-type: none"> <li>DHCP for dynamic IP address assignment</li> <li>PPP/SLIP for dial-up</li> <li>NTP for time server synchronization</li> <li>RFC2217 support for remote serial port access</li> </ul> <p>* Sold separately</p>																											
<table border="1"> <thead> <tr> <th>Part Number</th> <th>Model</th> <th>Description</th> </tr> </thead> <tbody> <tr> <td>TES0061</td> <td>Cyclades-TS100</td> <td>1-port console server</td> </tr> <tr> <td>TES0064</td> <td>Cyclades-TS400</td> <td>4-port console server</td> </tr> <tr> <td>TES0067</td> <td>Cyclades-TS800</td> <td>8-port console server</td> </tr> <tr> <td>TES0070</td> <td>Cyclades-TS1000</td> <td>16-port console server</td> </tr> <tr> <td>TES0075</td> <td>Cyclades-TS1000</td> <td>16-port console server -48VDC power supply</td> </tr> <tr> <td>TES0080</td> <td>Cyclades-TS2000</td> <td>32-port console server</td> </tr> <tr> <td>TES0085</td> <td>Cyclades-TS2000</td> <td>32-port console server -48VDC power supply</td> </tr> <tr> <td>TES0090</td> <td>Cyclades-TS3000</td> <td>48-port console server</td> </tr> </tbody> </table>	Part Number	Model	Description	TES0061	Cyclades-TS100	1-port console server	TES0064	Cyclades-TS400	4-port console server	TES0067	Cyclades-TS800	8-port console server	TES0070	Cyclades-TS1000	16-port console server	TES0075	Cyclades-TS1000	16-port console server -48VDC power supply	TES0080	Cyclades-TS2000	32-port console server	TES0085	Cyclades-TS2000	32-port console server -48VDC power supply	TES0090	Cyclades-TS3000	48-port console server	
Part Number	Model	Description																										
TES0061	Cyclades-TS100	1-port console server																										
TES0064	Cyclades-TS400	4-port console server																										
TES0067	Cyclades-TS800	8-port console server																										
TES0070	Cyclades-TS1000	16-port console server																										
TES0075	Cyclades-TS1000	16-port console server -48VDC power supply																										
TES0080	Cyclades-TS2000	32-port console server																										
TES0085	Cyclades-TS2000	32-port console server -48VDC power supply																										
TES0090	Cyclades-TS3000	48-port console server																										